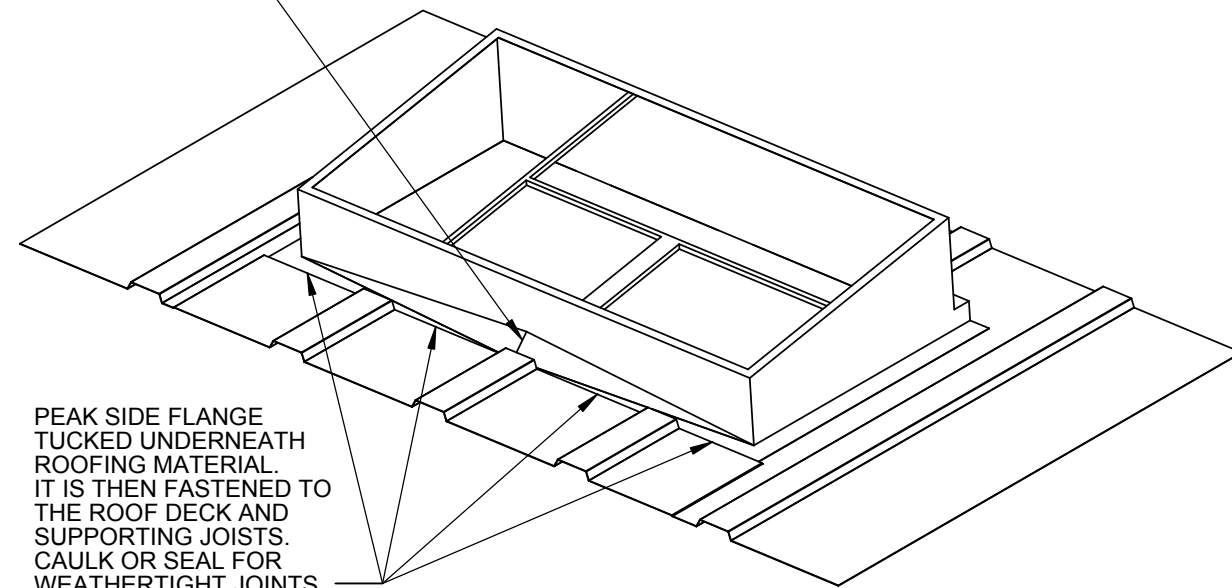
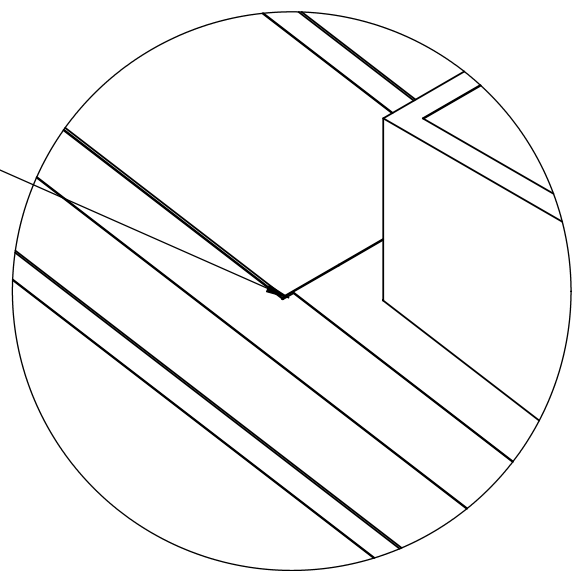


WATERSHED CRICKET



PEAK SIDE FLANGE  
TUCKED UNDERNEATH  
ROOFING MATERIAL.  
IT IS THEN FASTENED TO  
THE ROOF DECK AND  
SUPPORTING JOISTS.  
CAULK OR SEAL FOR  
WEATHERTIGHT JOINTS

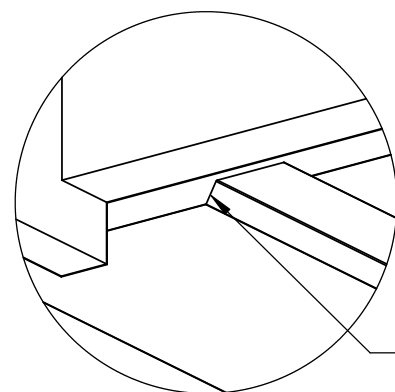
ROOFING MATERIAL  
TO BE SLIT BACK SO  
"PEAK" SIDE FLANGE  
CAN BE TUCKED  
UNDERNEATH



DETAIL A  
SCALE 1 : 12

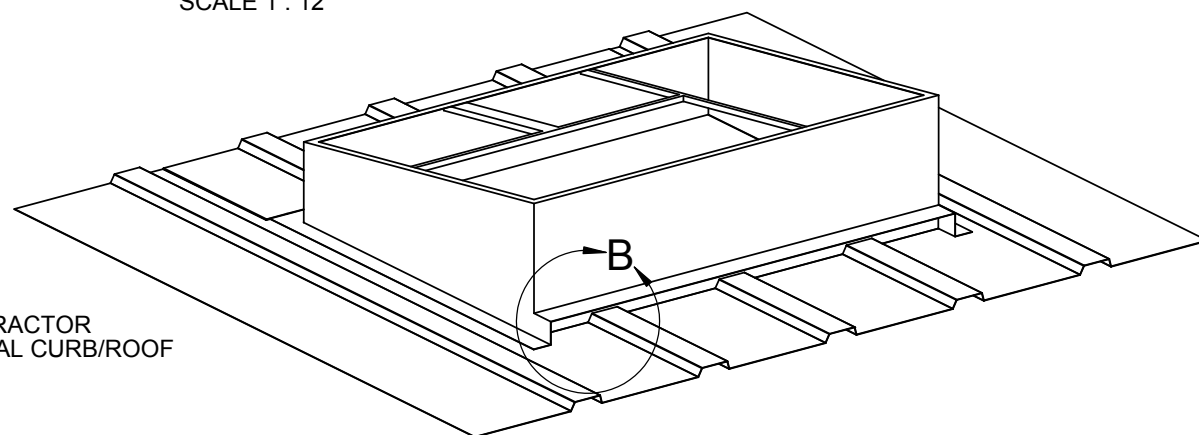
## INSTALLATION INSTRUCTIONS

1. CUT ROOF PANEL OUT UNDERNEATH UNIT PLUS 5" FOR FLANGE ON WATERSHED
2. UNPACKAGE ROOFCURB CAREFULLY AND APPLY CAULKING OR SEALANT TO THE ROOF PANEL WHERE THE CURB FLANGES WILL SIT ON TOP OF THE ROOF DECK
3. WHEN INSTALLING ON A PITCHED ROOF, POSITION THE CRICKET AT THE PEAK
4. APPLY CAULKING OR SEALANT TO THE TOP OF THE 8" CURB FLANGE THAT HAS THE CRICKET. SLIDE THIS FLANGE UNDERNEATH THE ROOF PANELS.
5. FASTEN CURB FLANGES WITH SELF TAPPING FASTENERS AND NEOPRENE WASHERS TO THE ROOF PANELS AND DECK. FASTEN THROUGH TO THE FRAMING OR JOISTS FOR A SECURE INSTALLATION
6. CAULK ALL JOINTS AND EDGES AFTER INSTALLATION IS COMPLETE. GASKETING PACKAGE FOR THE ROOFCURB IS PROVIDED.



DETAIL B  
SCALE 1 : 12

CONTRACTOR  
TO SEAL CURB/ROOF



UNLESS OTHERWISE  
SPECIFIED, TOLERANCES ARE:  
X ± 0.05  
XX ± 0.03  
XXX ± 0.01  
DIMENSIONS ARE  
AS FOLLOWS:  
1.00 in  
[25.40 mm]

3RD ANGLE  
PROJECTION

APPROVALS		DATE	TITLE:	
DRAWN: YOUR NAME			<b>install drawing</b>	
CHECKED:			FILE NAME:	DRAWING NO.:
MGMT:			install drawing	
			ECO #:	REV:
			SCALE: 1:32	SHEET: 1 OF 1

**CDI** 9560 85TH AVE. N.  
MAPLE GROVE, MN 55369  
(763)391-7790  
(763)391-7851