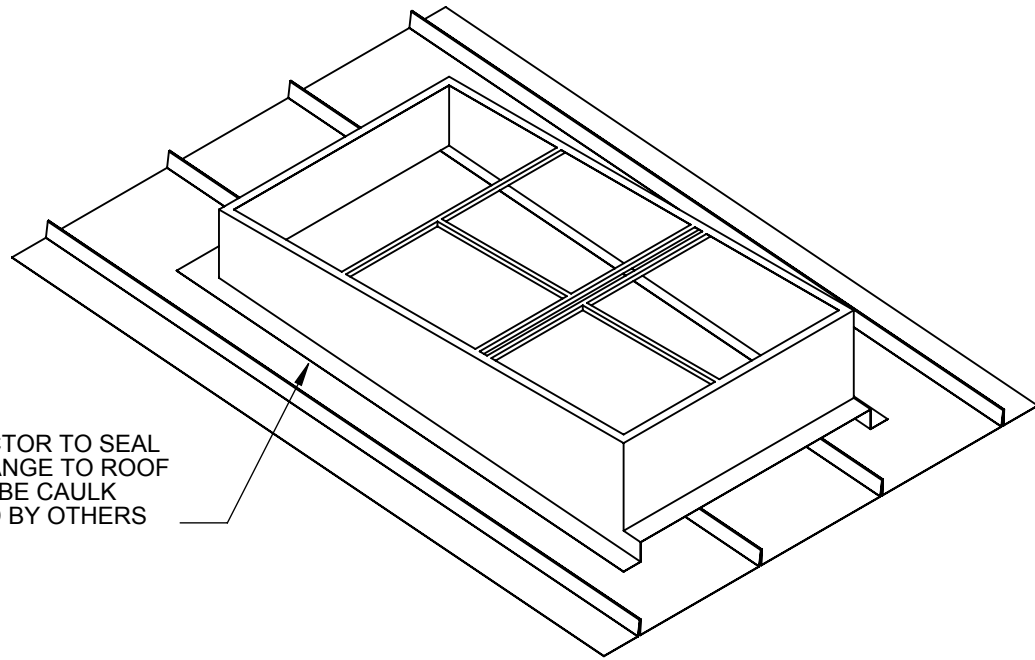
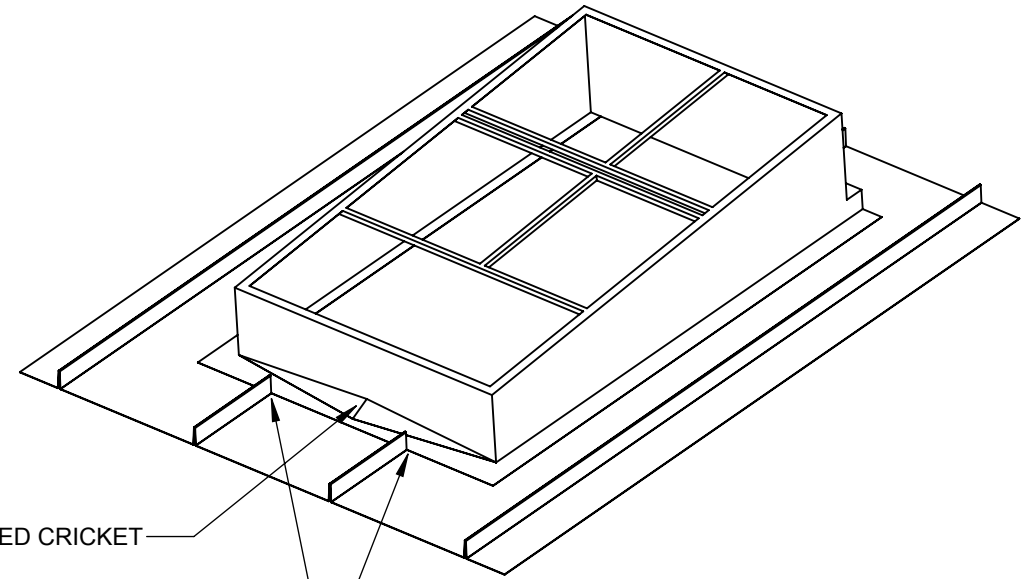


CONTRACTOR TO SEAL CURB FLANGE TO ROOF USING TUBE CAULK SUPPLIED BY OTHERS

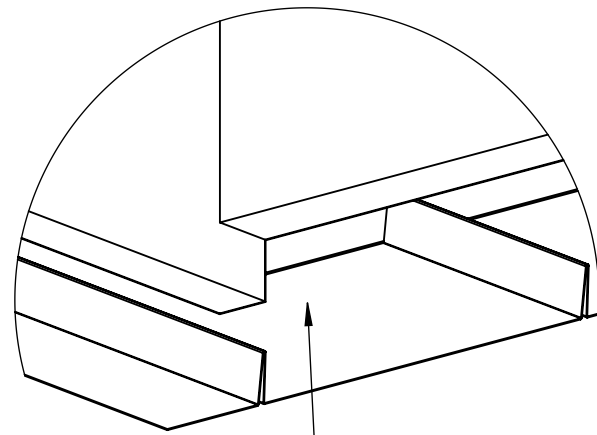


WATERSHED CRICKET

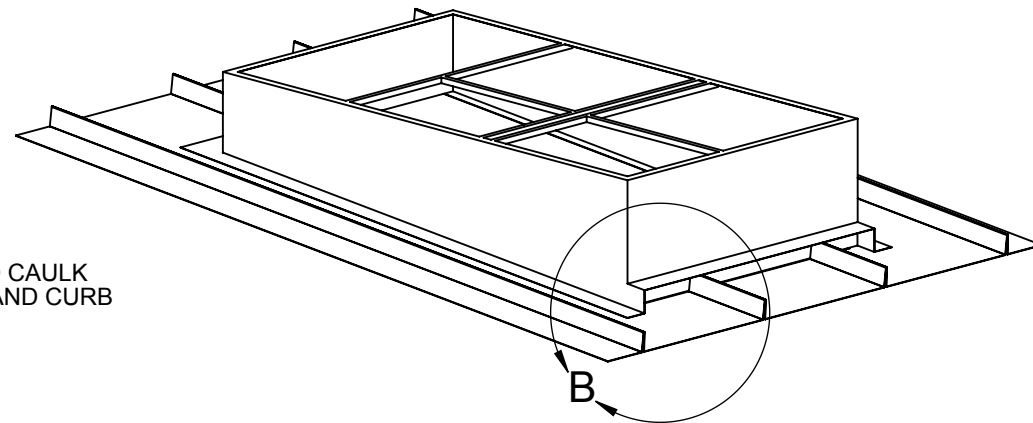
STANDING SEAM TO BE NOTCHED TO ALLOW THE ROOF CURB TO SIT FLAT ON THE ROOF PANELS



DETAIL B  
SCALE 1 : 12



HAT SECTION TO COVER STANDING SEAM PANELS - INSTALLING CONTRACTOR TO CAULK ALL JOINTS BETWEEN ROOF AND CURB



## INSTALLATION INSTRUCTIONS

1. CUT ROOF PANEL OUT UNDERNEATH DUCT DROPS (OR ENTIRE CURB ID DEPENDING ON APPLICATION).
2. UNPACKAGE ROOFCURB CAREFULLY AND APPLY CAULKING OR SEALANT TO THE ROOF PANEL WHERE THE CURB FLANGES WILL SIT ON TOP OF THE ROOF DECK (ALL 4 SIDES).
3. WHEN INSTALLING ON A PITCHED ROOF, POSITION THE CRICKET AT THE PEAK
4. FASTEN CURB FLANGES WITH SELF TAPPING FASTENERS WITH NEOPRENE WASHERS TO THE ROOF PANELS SPACED NO GREATER THAN 4" O.C.
5. CAULK ALL JOINTS AND EDGES AFTER INSTALLATION IS COMPLETE. GASKETING PACKAGE FOR THE ROOFCURB IS PROVIDED.

UNLESS OTHERWISE SPECIFIED, TOLERANCES ARE:  
 X ± 0.05  
 XX ± 0.03  
 XXX ± 0.01  
 DIMENSIONS ARE AS FOLLOWS:  
 1.00 in [25.40 mm]

3RD ANGLE PROJECTION

APPROVALS		DATE	TITLE:	
DRAWN: M.DAVIDS		6/28/07	install drawing - insulated panels	
CHECKED:			FILE NAME:	DRAWING NO.:
MGMT:			install drawing - insulated panels	REV:
CDI 9560 85TH AVE. N. MAPLE GROVE, MN 55369 (763)391-7790 (763)391-7851			ECO #:	SCALE: 1:32 SHEET: 1 OF 1